

Quad Adaptor

Application:

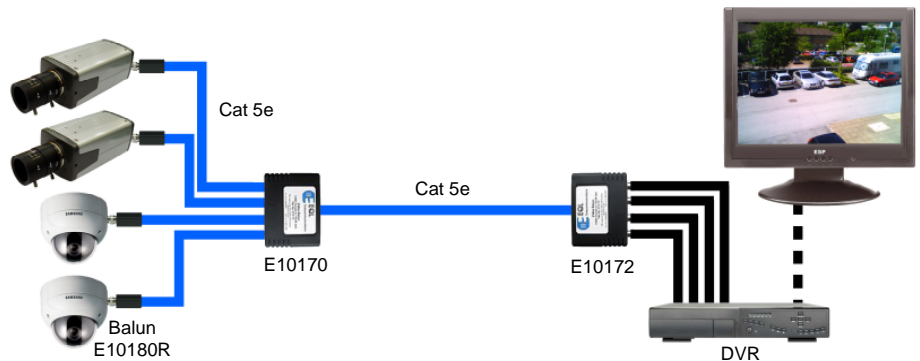
For multi-camera installations where one Cat 5e cable is used as the backbone, the cable will need to be split to allow each of the cameras to be connected to the correct pair of Cat 5e cable. The E10170 RJ45 Adaptor will facilitate quick and reliable connections using RJ45 plugs to connect to the adaptor.

As correct termination of Cat 5e cable pairs is essential for the transmission of video through the cable, proper termination techniques such as using the E10172 RJ45 Adaptor will ensure good quality pictures from your CCTV installations.

A typical application is shown below:



**4 Way RJ45 Adaptor
Part No: E10170**



Specifications:

Bandwidth:	DC to 20 MHz
Insertion Loss:	<0.1 dB to 8 MHz
Impedance:	100 ohm
Contacts:	Gold 50 micro inch
RJ45 Pinout:	Jack 1: 4,5 to Common Jack 1,2 Jack 2: 4,5 to Common Jack 3,6 Jack 3: 4,5 to Common Jack 5,4 Jack 4: 4,5 to Common Jack 7,8
Casing:	Fire Retardant Plastic ABS UL 94V-0
Case Dimensions:	105 x 43 x 22 mm
Temperature Range:	0 to 55 °C operating, -22 to 80 °C Storage 95% Relative Humidity
Compatible with:	RJ45 Baluns Types: E10180S / E10180R / E10180T / E10185S / E10185R

Note: Specifications subject to change without notice.

EQL Teleconnect

Unit 20, 13 Swaffham Road
Minto NSW 2566
Australia

Postal Address:
P.O. Box 351
Minto NSW 2566
Australia

Tel: +61 2 9824 5680
Fax: +61 2 9824 5685
Email: sales@teleconnect.com.au
Web: www.teleconnect.com.au

ABN: 93 098 402 218