



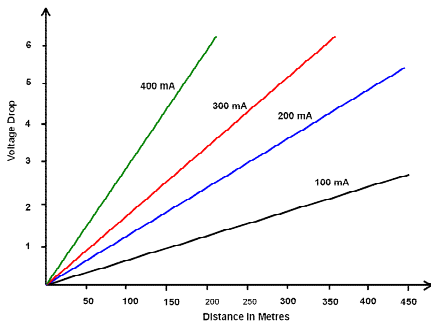
**Quad Power Through Video Balun**  
4 x BNC Female to 4 x RJ45 Jack  
Part Number: E10174



**Quad Power Through Video Balun**  
Rear View



**19" 1RU Quad Video Balun Panel**  
(Unloaded) with Designation Strip  
Part Number: E10172PS



## Quad Power Through Video Balun

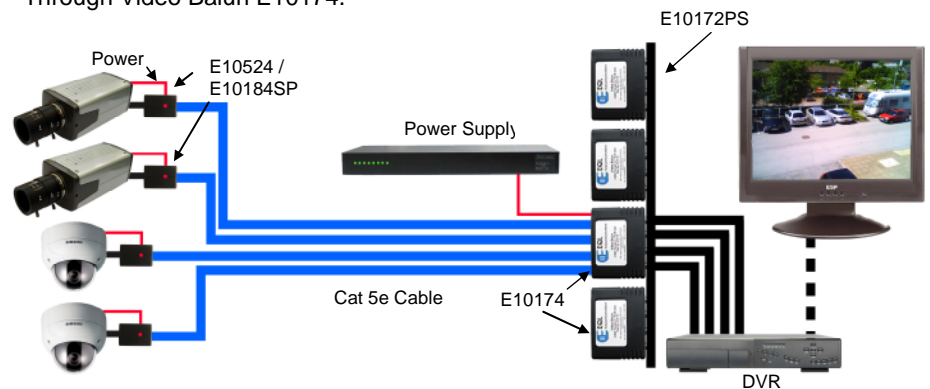
### Features:

- 4 Separate Power Through Video Baluns in a single package.
- Feed Common AC or DC Power up each Cat 5 Cable to Camera.
- LED Monitor for Power Input via 2 Pole Screw Terminal Plug
- Exceptional performance, High Reliability and Durability.
- Housed in a fire retardant wall mountable Case.
- Uses 3 pairs of Cat 5 cable for power feed for maximum range.
- High quality and performance.
- Stable over working temperature between 0 °C to +55 °C.

### Application:

In installations where power is not available at the camera end and Cat 5 cabling is to be used for cabling, power can be fed to the camera using E10174 Quad Power Through Balun to interconnect the camera using spare capacity on the Cat 5 cable.

The maximum distance between the camera and the E10174 at hub end depends on the power requirements of the camera. The figure left will serve as a guide in determining the approximate distance that can be achieved using Quad Power Through Video Balun E10174.



### Specifications:

Bandwidth:	DC to 8 MHz
Insertion Loss:	< 2 dB to 8 MHz
Impedance:	75 ohm BNC, 100 Ohm RJ45
Maximum Signal Voltage:	1.1 Vp-p
Return Loss:	> 15 dB to 8 MHz
Common Mode Rejection:	> 40 dB @ 8 MHz
Indicator LED:	Red for AC or DC Power On
Connectors:	BNC 4 x BNC Female Bulkhead RJ45 Jack 4 x RJ45 Unshielded Jacks
Pinout for RJ45 Jack:	Video 7(+) / 8 (-) Power 1, 3, 5 (+) / 2, 4, 6 (-)
RJ45 Contacts:	Gold 50 micro inch
Temperature Range:	0 to 55 °C operating, 22 to 80°C Storage
Casing:	95% Relative Humidity Fire Retardant Plastic ABS UL 94V-0
Maximum Distance:	Video Only Colour: Up to 400m Video and Power: Up to 300m

Compatible with: Power Through Balun E10184SP and E10524 at Camera end and E10172PS Rack Panel for mounting up to 4 E10174 at the Hub end.

Note: Specifications subject to change without notice.

## EQL Teleconnect

Unit 20, 13 Swaffham Road  
Minto NSW 2566  
Australia

Postal Address:  
P.O. Box 351  
Minto NSW 2566  
Australia

Tel: +61 2 9824 5680  
Fax: +61 2 9824 5685  
Email: sales@teleconnect.com.au  
Web: www.teleconnect.com.au

ABN: 93 098 402 218