

Quick Connect BNC Female Video Balun - Keystone



**Quick Connect Video Balun
BNC Female IDC Keystone
Part Number: E10185SC**



Rear View of E10185SC



E10185P (Front View - panel only)



E10185PC (Top view - loaded)

EQL Teleconnect

Unit 20, 13 Swaffham Road
Minto NSW 2566
Australia

Postal Address:
P.O. Box 351
Minto NSW 2566
Australia

Tel: +61 2 9824 5680
Fax: +61 2 9824 5685
Email: sales@teleconnect.com.au
Web: www.teleconnect.com.au

ABN: 93 098 402 218

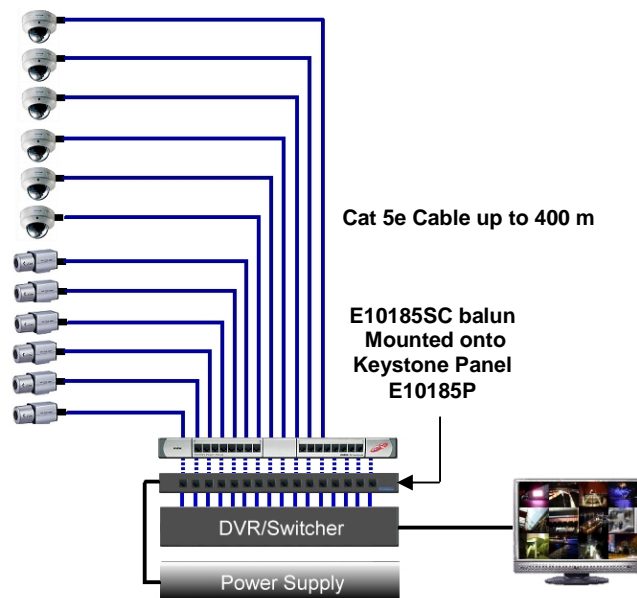
Application Note:

Traditionally, coaxial cables such as RG59 are used for connecting the CCTV camera video to the DVR but now it is possible through use of Exico's Passive Video Balun (Coax to Cat 5 Converter) to replace the more expensive coaxial cable with Cat 5 cable for this purpose. To convert from coaxial cable to the newer Cat 5 twisted pair cable is a very easy process and simply involves use of a video balun at the camera end and another video balun at the DVR end and interconnecting the two baluns with Cat 5 cable.

With Cat 5 cabling it is possible to connect the camera up to distances of 400 metres from the DVR with negligible degradation to the image quality.

In applications where patching of inputs to the DVR/Switcher is required E10185SC Keystone Video Balun is used for mounting onto a 19" 1RU panel.

This application is shown below.



Specifications:

Bandwidth:	DC to 8MHz
Insertion Loss:	< 2 dB to 8MHz
Impedance:	75 ohm Coaxial, 100 ohm RJ45
Maximum Signal Voltage:	1.1 Vp-p
Return Loss:	> 15 dB to 8 MHz
Common Mode Rejection:	> 40 dB @ 8 MHz
RJ45 Contacts:	Gold, 50 micro inch
Temperature Range:	0 to 55 °C operating, 22 to 80°C Storage 95% Relative Humidity
Casing:	Fire Retardant Plastic ABS UL 94V-0
Maximum Distance:	Color: Up to 400 m Cat 5e B&W: Up to 600 m Cat 5e

Note: Specifications subject to change without notice.