

Providing Effective Solutions for CATV Installations

CATV Baluns



**F Male to RJ45
Slim Case
P/N E10980MR**



**F Female to RJ45
Slim Case
P/N E10980FR**



**F Female to IDC
Slim Case
P/N E10980FC**

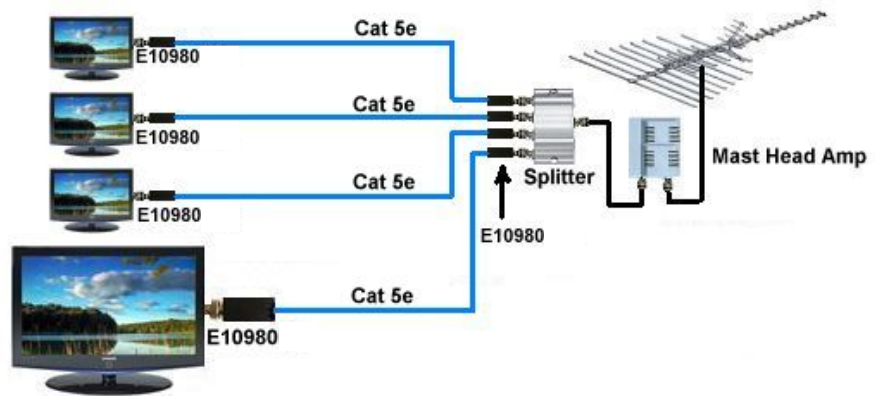


**F Female to RJ45
Keystone Case
P/N E10980FK**

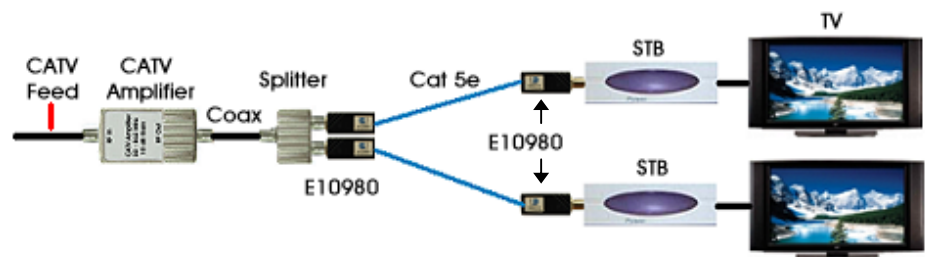
Application

Transmission of FM Radio, VHF TV, UHF TV, CATV and Satellite Receiver can now be achieved using Cat 5e structured cabling and a pair of CATV Baluns operating back to back thus allowing for cost effective distribution of these transmissions.

Application for 4 Way Distribution of TV Transmissions



Application for Distribution of CATV or Satellite Receiver Transmissions



EQL Teleconnect

Unit 20, 13 Swaffham Road
Minto NSW 2566
Australia

Postal Address:
P.O. Box 351
Minto NSW 2566
Australia

Tel: +61 2 9824 5680
Fax: +61 2 9824 5685
Email: sales@teleconnect.com.au
Web: www.teleconnect.com.au

ABN: 93 098 402 218

EQL Teleconnect Application Note E10980FR Issue 1.0
The material in this Application Note is subject to Copyright of EQL Teleconnect

Specifications:

Bandwidth:	5 Mhz to 862 MHz
Insertion Loss:	< 3 dB
Impedance:	75 ohm Coaxial, 100 ohm RJ45 or IDC
Maximum Signal Voltage:	1.1 Vp-p
Return Loss:	> 15 dB from 10 to 862 MHz
Common Mode Rejection:	>20 dB from 40 to 862 MHz
Contacts:	Gold, 50 micro inch
Temperature Range:	0 to 55 °C operating, 95% Relative Humidity
Casing:	Fire Retardant Plastic ABS UL 94V-0
Maximum Distance:	60 Metres for CATV applications